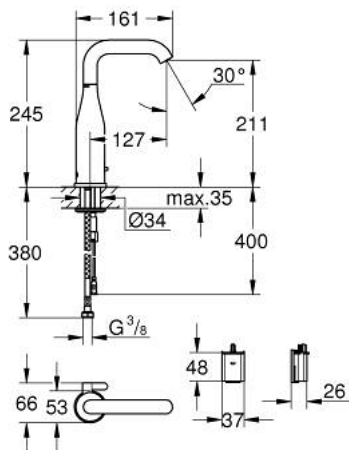


36 445 AL0 ESSENCE E INFRA-RED ELECTRONIC BASIN MIXER 1/2" WITH MIXING DEVICE AND ADJUSTABLE TEMPERATURE LIMITER

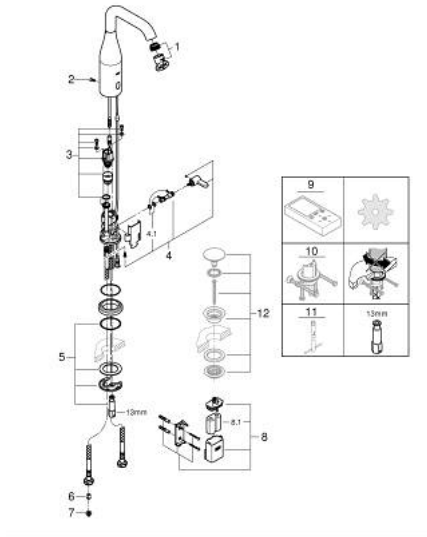


PRODUCT DESCRIPTION

- Colour: brushed hard graphite
- with infrared sensor for bi-directional communication for monitoring, configuration and service purpose
- 6V lithium battery, type CR-P2
- battery lifetime: approx. 7 years (150 actuations a day)
- GROHE Long-Life finish
- GROHE Water Saving - Less water, perfect flow
- maximum flow rate (at 3 bar): 5 l/min
- adjustable swivel area 0° / 150° / 360°
- laminar spray regulator
- flexible connection hoses
- non-return valve
- dirt strainers
- integrated solenoid valve
- external battery
- rapid installation system
- multistage battery status display
- 7 pre-set programs:
 - auto flush
 - thermal disinfection
 - cleaning mode
- additional functions and precise settings by remote control 36 407
- CE approved
- type of protection faucet IP 59K



36 445 AL0 ESSENCE E INFRA-RED ELECTRONIC BASIN MIXER 1/2" WITH MIXING DEVICE AND ADJUSTABLE TEMPERATURE LIMITER



SPARE PARTS, April 2023 – now

- 1: Flow straightener (Spare part-nr. 48376000)
 - 2: Screws (Spare part-nr. 4283100M)
 - 3: Solenoid valve (Spare part-nr. 42479000)
 - 4: mixer lever (Spare part-nr. 42401AL0)
 - 4.1: Sealing washer (Spare part-nr. 4284000M)
 - 5: Mounting set (Spare part-nr. 42400000)
 - 6: Non-return valve (Spare part-nr. 4257200M)
 - 7: Filter (Spare part-nr. 4241300M)
 - 8: Battery housing with battery (Spare part-nr. 42393000)
 - 8.1: Battery (Spare part-nr. 42886000)
 - 9: Remote control (Spare part-nr. 36407001)*
 - 10: Rotation lock (Spare part-nr. 36276000)*
 - 11: Mounting wrench (Spare part-nr. 19017000)*
 - 12: Waste set with push-open plug (Spare part-nr. 65807AL0)*
- * Optional accessories