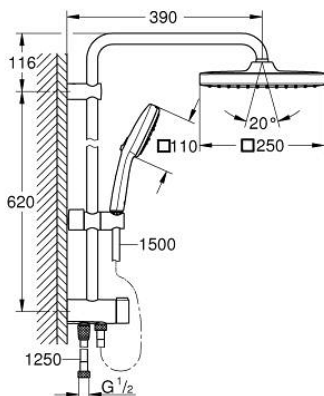


26 977 243 1 TEMPESTA SYSTEM 250 CUBE SHOWER SYSTEM WITH DIVERTER FOR WALL MOUNTING



PRODUCT DESCRIPTION (1/2)

- Colour: matte black
- consisting of:
 - horizontal 390 mm shower arm, adjustable before installation
 - change by diverter between hand shower, head shower or head shower Eco setting
 - head shower Tempesta 250 Cube
 - 2 spray patterns (via diverter):
 - Rain, SmartRain
 - head shower with black rear cover
 - with ball joint
 - rotation angle $\pm 10^\circ$
 - hand shower Tempesta Cube 110
- 3 spray patterns:
 - Rain, Jet, Massage
 - adjustable in height with gliding element
 - distance between diverter and upper bracket: 620 mm
 - shower hose Relexaflex 1500 mm 1/2" x 1/2"
 - shower hose Relexaflex 1250 mm 1/2 x 1/2"
 - flexible installation: connection to faucet / wall union for water supply with 1/2" thread of the 1250 mm shower hose
 - maximum flow rate (at 3 bar): 7.9 l/min
 - GROHE Water Saving - Less water, perfect flow
 - GROHE SmartSwitch - easily rotate the dial to enjoy your preferred spray option
 - GROHE DreamSpray perfect spray pattern
 - ShockProof silicone ring prevents damages caused by shower falling
 - SpeedClean anti-lime system
 - Inner WaterGuide for a longer life
 - suitable for instantaneous heaters from 18 kW/h

Pure Freude
an Wasser



26 977 243 1 TEMPESTA SYSTEM 250 CUBE SHOWER SYSTEM WITH DIVERTER FOR WALL MOUNTING

PRODUCT DESCRIPTION (2/2)

- minimum flow rate 7 l/min.
- minimum pressure 1.0 bar
- professional edition