



## AUTOMATIC FAUCET SENSOR TYPE

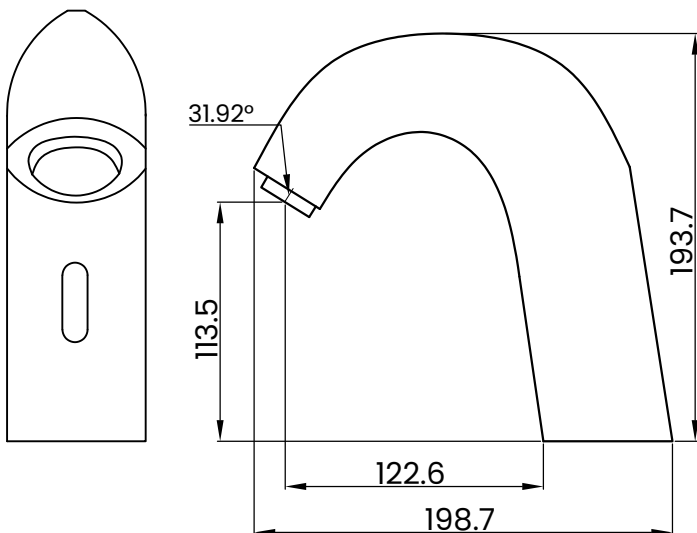


CHROME

### BOX CONTENTS

SENSOR FAUCET , SHOWER HOSE, HOLDER, FIXING KIT

### TECHNICAL DRAWING



### SPECIFICATIONS

Brand	ITALIAN
Range	CHROME 304
Model	M 8500-01E
Finish / Colour	CHROME
Material	Chrome
Series	Sensor Tap
Item	Sensor Faucet Bend Type
Product Type	SENSOR FAUCET
Connection Size	1/2"
Min. Operating Pressure	1.0 BAR MP
Holder	INCLUDED
Hose Length	1000MM
Hose Type	DOUBLE INTERLOCK HOSE