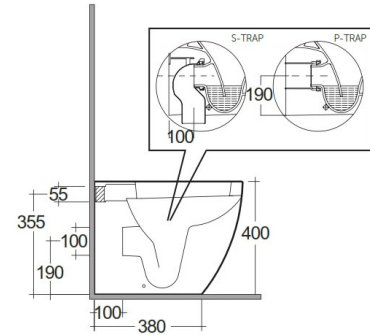
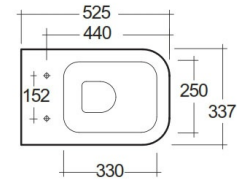


# RAK-METROPOLITAN

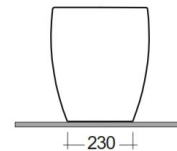
## Back to Wall | Water Closet

**RAK**  
CERAMICS



### Technical specifications

Dimensions:	525 x 337 mm
Weight:	25 Kg
Color:	Ivory
Trap type:	P Trap & S Trap
Trapway type:	Concealed
Seat cover options:	ABS & Urea
Bowl shape:	Rounded Rectangle
Soft close:	yes
Flush Type:	Dual Flush
Suites:	<a href="#">RAK-METROPOLITAN</a>



Code	Name
MP16AWHA	METROPOLITAN WATER CLOSET BACK TO WALL P S-TRAP 52CM

Dimensions: All dimensions in mm. Tolerance of vitreous china & fireclay items:  $\pm 5\%$  for below 200mm and  $\pm 3\%$  for above 200mm; for all other items tolerance  $\pm 1\%$ . Note: Due to a continuing development program to improve design and performance, the manufacturer reserves all rights to vary specifications without prior information. Please note accessories are for photographic use only.