



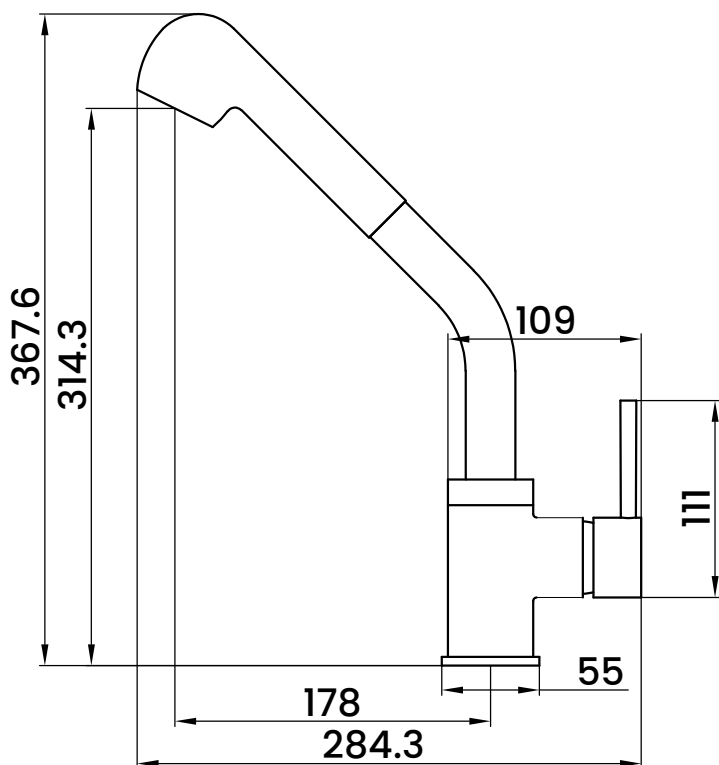
SINK MIXER SINGLE LEVER OSCAR LUCA M-2



CHROME

BOX CONTENTS

SINK MIXER, SHOWER HOSE, HOLDER, FIXING KIT

TECHNICAL DRAWING

SPECIFICATIONS

Brand	ITALIAN
Range	CHROME 304
Model	M5810-09D
Finish / Colour	CHROME
Material	CHROME
Series	LUCA
Item	Luca Sink Mixer
Product Type	SINK MIXER
Connection Size	1/2"
Min. Operating Pressure	1.0 BAR MP
Holder	INCLUDED
Hose Length	1000MM
Hose Type	DOUBLE INTERLOCK HOSE
Weight (KG)	0.42